

VASARIO 1616 OR 1618 TILL RETROFIT INSTRUCTIONS

Purpose: This instruction sheet is to be used when replacing a till in a newer 1616 or 1618 drawer with an older model till, V-15B-2.

1. To install the replacement till, open the drawer and remove the existing till.
2. Remove the inner drawer. Grasp the drawer by the sides of the front and lift the drawer up until it stops. Tip the drawer front down while at the same time pulling out at an inclined angle.
3. See Figure 1 below. Notice the 2 black, foam rubber pads packaged with the replacement till. These are used to make sure that the till fits snugly into the inner drawer as shown.
4. Insert the inner drawer into the case. Tip the drawer front down at an inclined angle while inserting it into the case about 2 inches. Lift the drawer up until it stops, and pull the drawer out until it stops and drops into operating (horizontal) position.
5. Insert the replacement till into the drawer and verify that the drawer opens and closes properly.

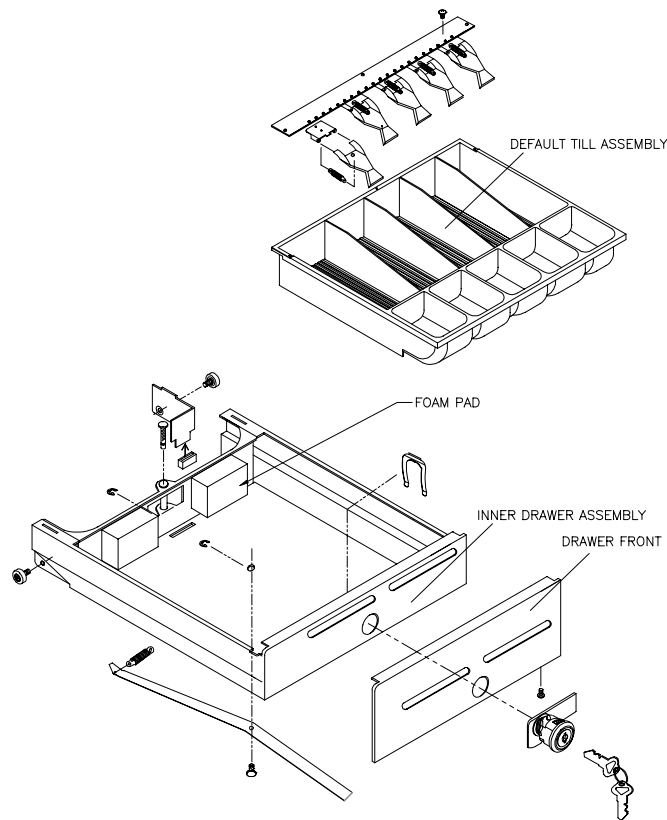


FIGURE 1