

# CASH DRAWER CADDY SYSTEM SHEET 1

## INSTALLATION INSTRUCTIONS

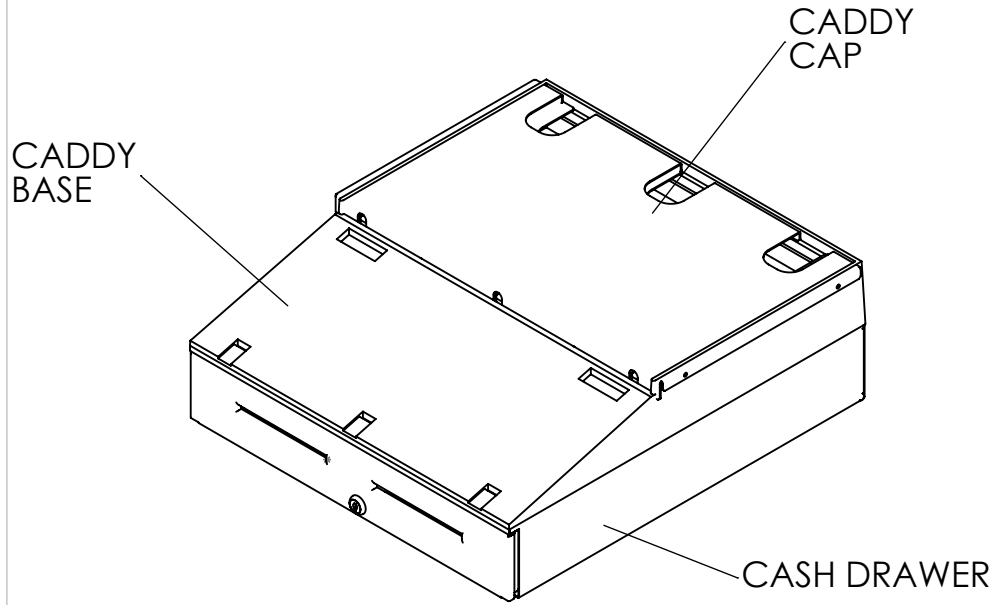


FIG. 1

COMPONENTS OF THE CASH DRAWER CADDY SYSTEM  
SHOWN AFTER INSTALLATION IS COMPLETE

1. After removing all components from the shipping boxes, make sure that all parts are accounted for.
2. Start the installation with the Cash Drawer.
3. Place the Cash Drawer in the location where it will be used. Connect the Cash Drawer cable and verify that the Cash Drawer operates properly. See the Cash Drawer instruction sheet furnished with the Cash Drawer.
4. Next, install the Base. There are 4 rubber feet furnished. These may be used to help keep the Base in place on the Cash Drawer or other surface. If required, install 1 rubber foot on each boss on the bottom of the Base. (FIG. 3)
5. Locate the Base on top of the Cash Drawer or other surface. If necessary, fasten the Base in place using the 3 plastic fasteners provided. Line up the 3 holes on the body of the Base with the corresponding holes on the Cash Drawer or other surface. Place a fastener in each hole and press firmly on the fastener head until fully seated in the pocket on the Base.
6. Install the keyboard and keyboard clips, if necessary. The keyboard rests on the slopped surface of the Base with the keyboard feet resting in the recesses provided. The keyboard clips may be used if the keyboard feet do not fit into the recesses provided or the keyboard feet will not be used for the installation. Install up to 3 keyboard clips into the recesses and slots provided. The clips install by inserting the edge of the clip into the slot in the base at an angle. Slight pressure will allow the clip to "snap" into place. Push down on the back of the clip to seat it into the recess on the base. (FIG 2)
7. Route the cabling for the peripheral devices that will be placed on the Cap. The cables will be routed through the slots on the Cash Drawer, Base and Cap. Select the slot closest to the device to route the cable for that device.
8. Install the Cap. The Cap rests on the Base on 1 of the 2 steps on the 3 edges of the Base. The keyboard cable should be routed in the slot on the front of the Cap and the other cables routed through either of the other slots on the rear of the Cap. Some caps may also have an auxiliary printer tray mounted onto the cap.
9. Place the other peripheral devices of the system onto the Cap and connect the corresponding cable. Do this for each device.
10. Check the operation of all devices. If necessary, the cables can be re-routed as in Steps 7 and 8.



# CASH DRAWER CADDY SYSTEM SHEET 2

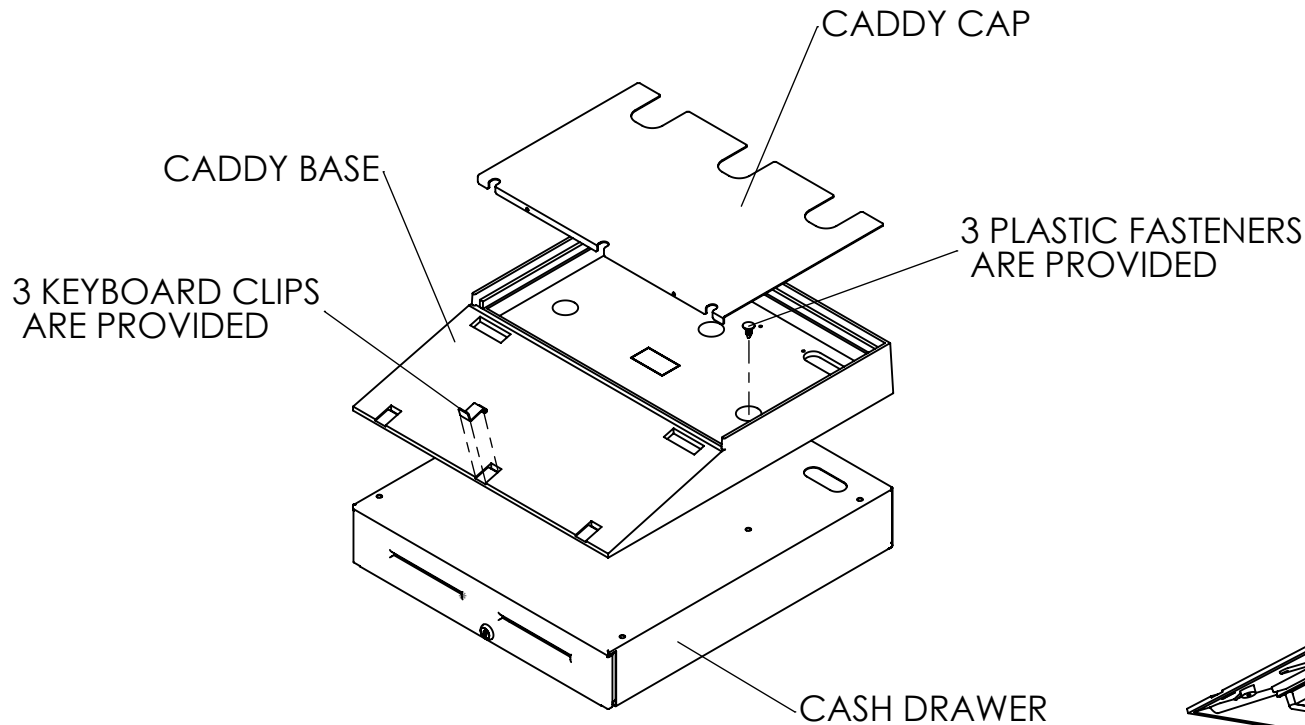


FIG. 2  
COMPONENTS FURNISHED WITH THE  
CASH DRAWER CADDY SYSTEM

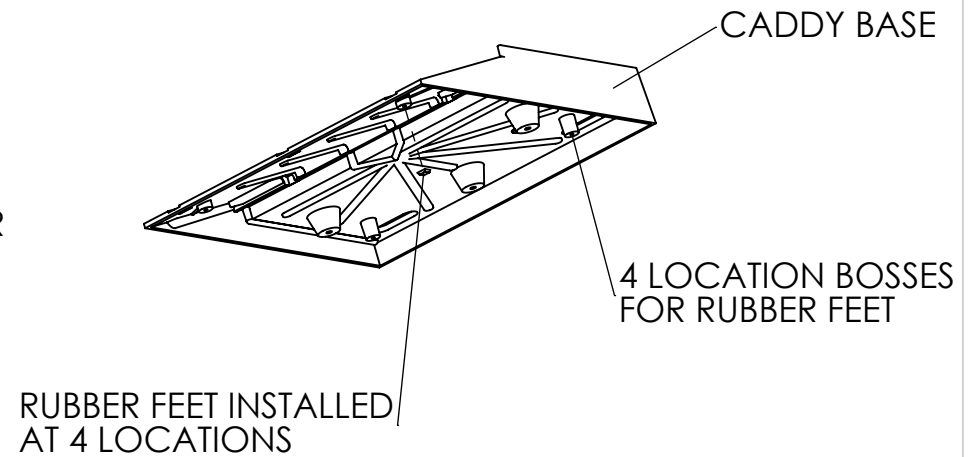


FIG. 3  
INSTALLATION OF RUBBER FEET ONTO BASE

